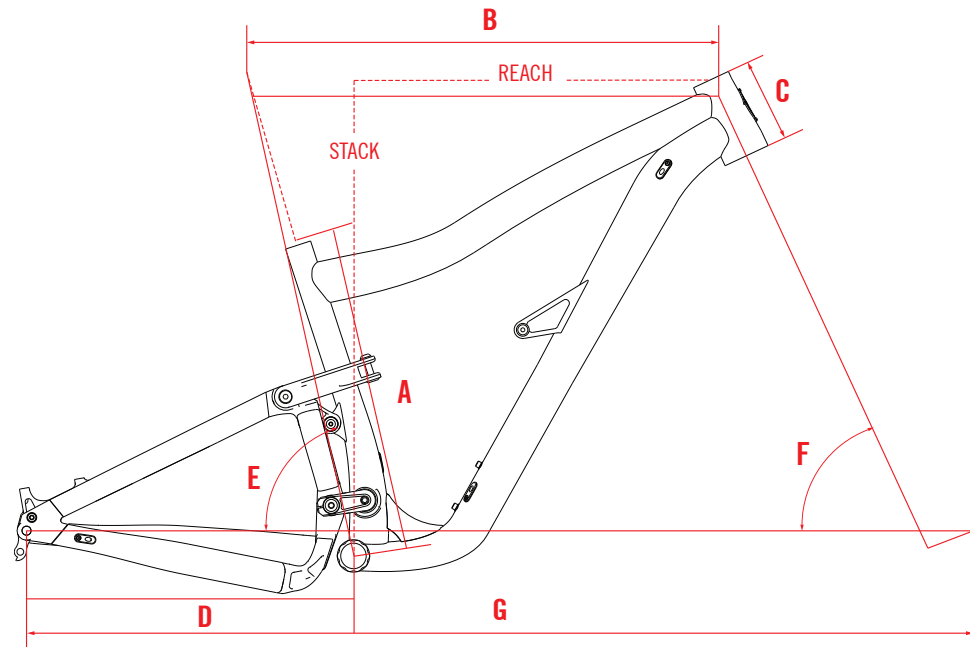


GEOMETRY



160mm DVO DIAMOND FORK (572mm AXLE TO CROWN)

| SIZE | | SMALL | MEDIUM | LARGE | X-LARGE |
|---------------------------------|---|--------|--------|--------|---------|
| SEATTUBE | A | 14" | 15" | 16.5" | 18.5" |
| TOPTUBE | B | 573mm | 603mm | 632mm | 655mm |
| HEADTUBE | C | 90mm | 100mm | 110mm | 120mm |
| CHAINSTAY | D | 435mm | 435mm | 435mm | 435mm |
| SEAT ANGLE | E | 77° | 76° | 76° | 76° |
| HEAD ANGLE | F | 64.9° | 64.9° | 64.9° | 64.9° |
| WHEELBASE | G | 1185mm | 1216mm | 1237mm | 1262mm |
| STACK | | 613mm | 620mm | 629mm | 642mm |
| REACH | | 431mm | 458mm | 475mm | 495mm |
| STANDOVER | | 705mm | 750mm | 750mm | 760mm |
| TRAIL | | 114mm | 114mm | 114mm | 114mm |
| OFFSET | | 44mm | 44mm | 44mm | 44mm |
| STOCK FORK LENGTH | | 572mm | 572mm | 572mm | 572mm |
| BB DROP | | 30mm | 30mm | 30mm | 30mm |
| SADDLE HEIGHT FOR SEATUBE ANGLE | | 650mm | 700mm | 750mm | 810mm |



FACTS

- 29" wheels
- 160mm front travel
- 147mm dw-link rear travel
- 2.6" tire clearance
- Aluminum front and rear triangle
- Available in four sizes S-XL, fits riders between 5' and 6'6
- Frame weight of 8.25lbs for a medium with a DVO Topaz shock
- Available with DVO JADE X coil shock