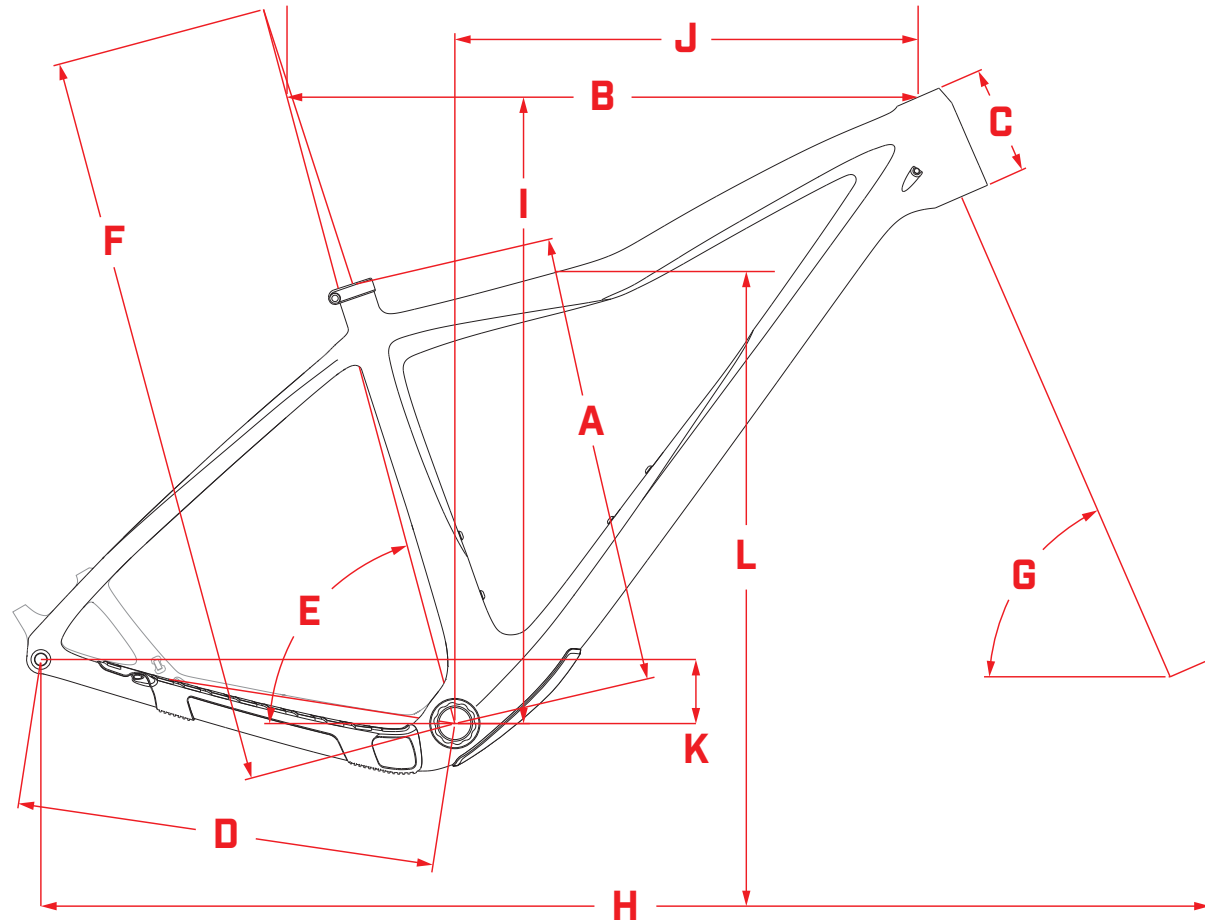


DV9 GEOMETRY

ALL INFORMATION EMBARGOED UNTIL MARCH 7, 2023, 9AM PST.



120mm FORK (530mm Axle to Crown)

SIZE		SMALL	MEDIUM	LARGE	X-LARGE
SEAT TUBE IN.	A	14"	16"	18"	20"
EFFECTIVE TOP TUBE MM	B	580	608	640	675
HEAD TUBE MM	C	85	95	110	135
CHAINSTAY MM	D	425	425	425	425
SEAT TUBE ANGLE	E	74°	74.5°	75°	76°
SADDLE HEIGHT FOR SEAT TUBE ANGLE MM	F	650	700	750	820
HEAD TUBE ANGLE	G	66.5°	66.5°	66.5°	66.5°
WHEELBASE MM	H	1110	1145	1186	1237
STACK MM	I	615	622	635	658
REACH MM	J	404	435	470	511
BB DROP MM	K	65	65	65	65
BB HEIGHT MM		308	308	308	308
STANDOVER MM	L	693	714	762	776